

## Balustrade Installation Guide

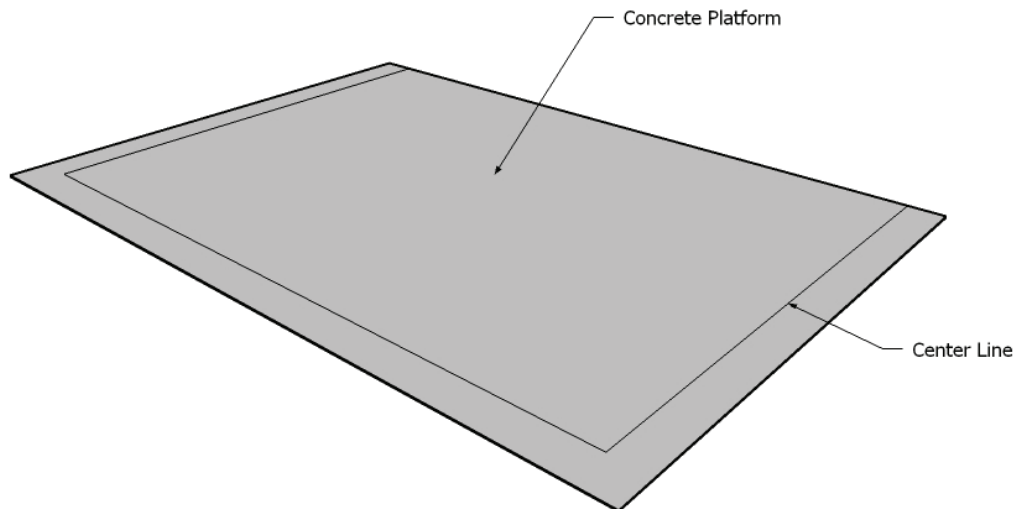
Prior to installing any of the materials for the balustrade, check over your order to see if you have everything you'll need to complete the project.

Tools required to install Build-A-Rail™ system include:

- Measuring Tape
- Pencil
- String
- Caulking Gun
- Circular Saw with a diamond blade
- 2 Part Epoxy/Thinset
- Clamps
- 4' Level
- 8' Straight Edge
- Hammerdrill with 1" carbide bit
- Concrete Adhesive
- 2 Bags of concrete
- Shovel & mixing tub
- Sponge with a bucket of water
- Grout
- Shims
- Chalk Line

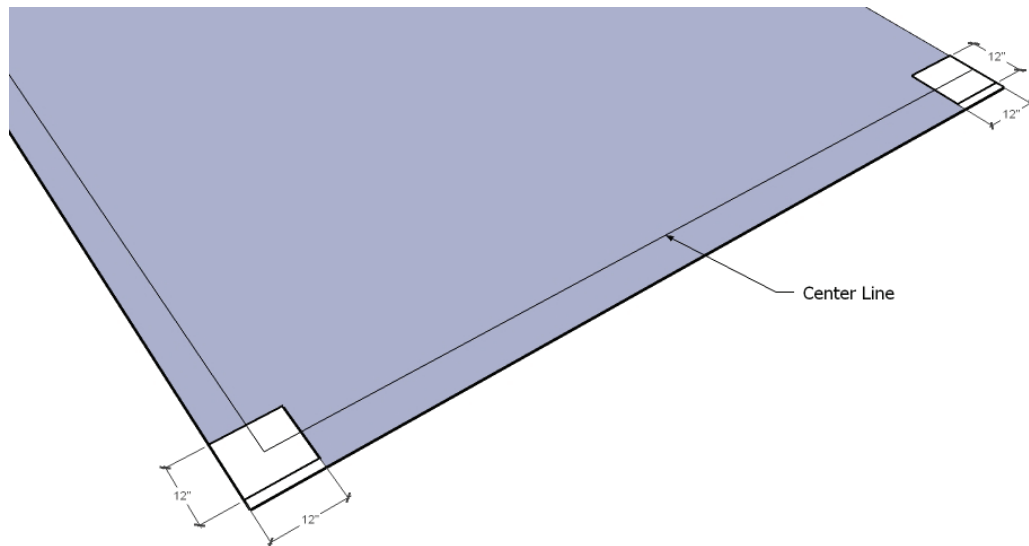
Now you're ready to begin installing your new Build-A-Rail™ system. Take time to layout the job to avoid problems with spacing and heights. Check the state & local building codes in your area for questions with compliance.

### Step #1



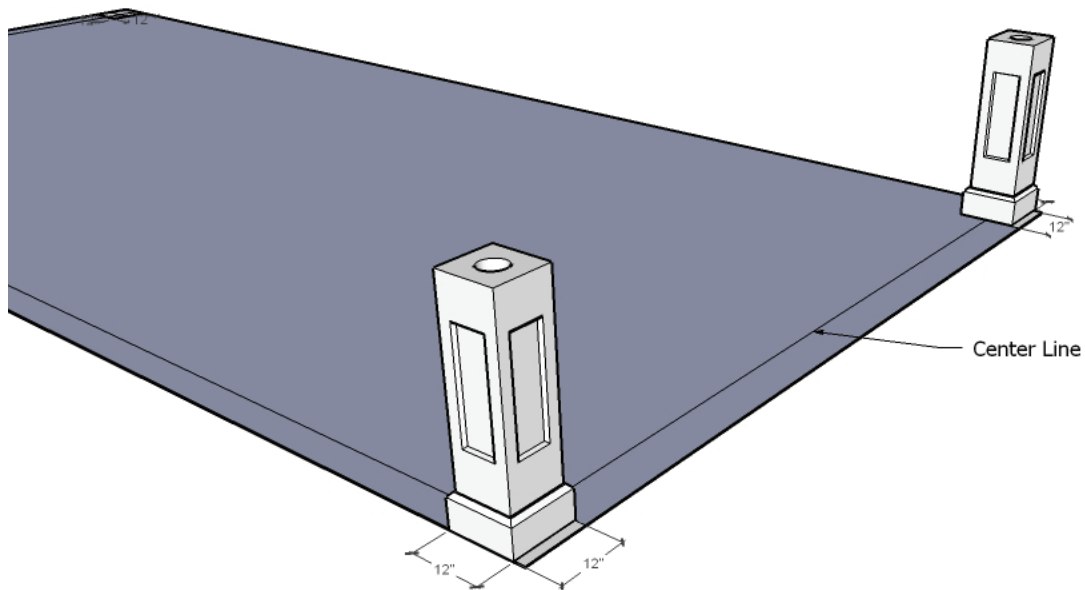
Snap a center line where the balustrade will be installed. Your center line should be a minimum of 6" from the edge of the platform.

## Step #2



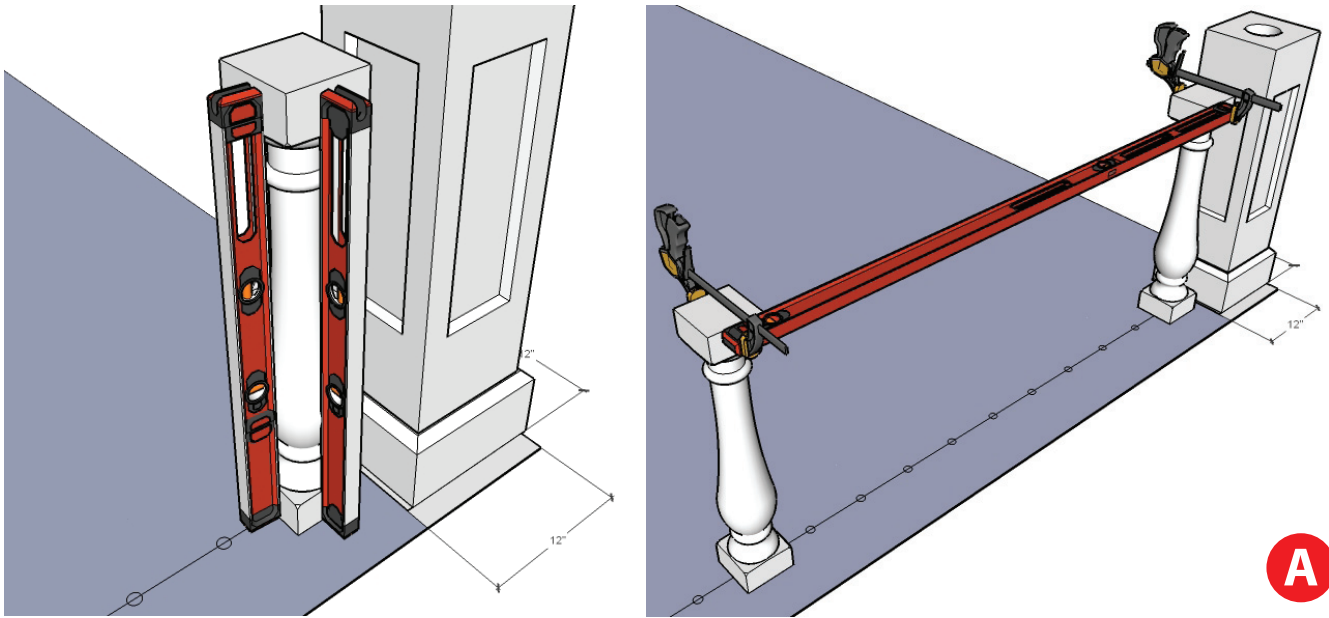
Layout posts at desired locations. Typically posts are required every 12 feet, at corners or change of direction, top of steps and at the bottom of steps.

## Step #3

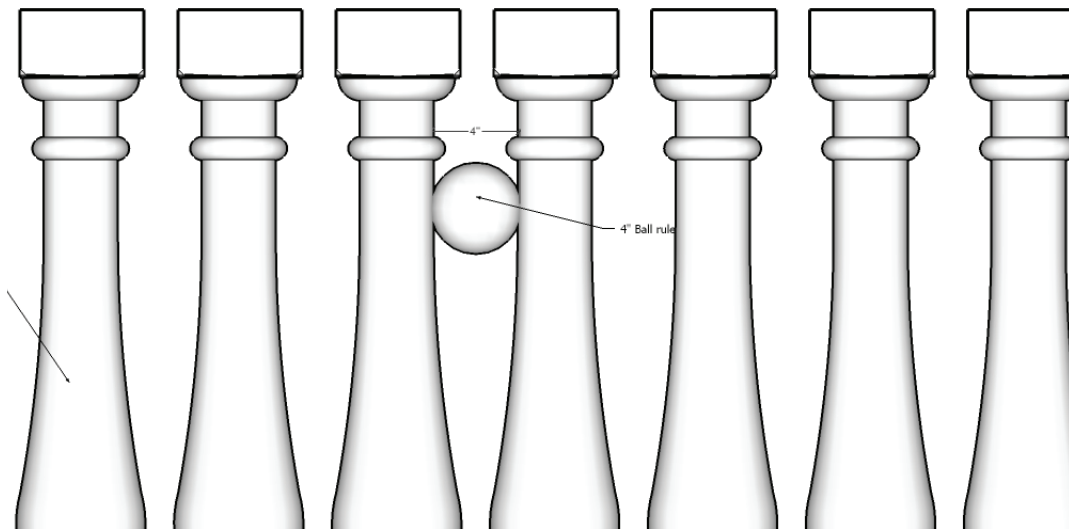


Install newel posts bases and shafts and let dry. Leave off caps until handrail is installed. Use [newel post instructions](#) as a guide for proper installation.

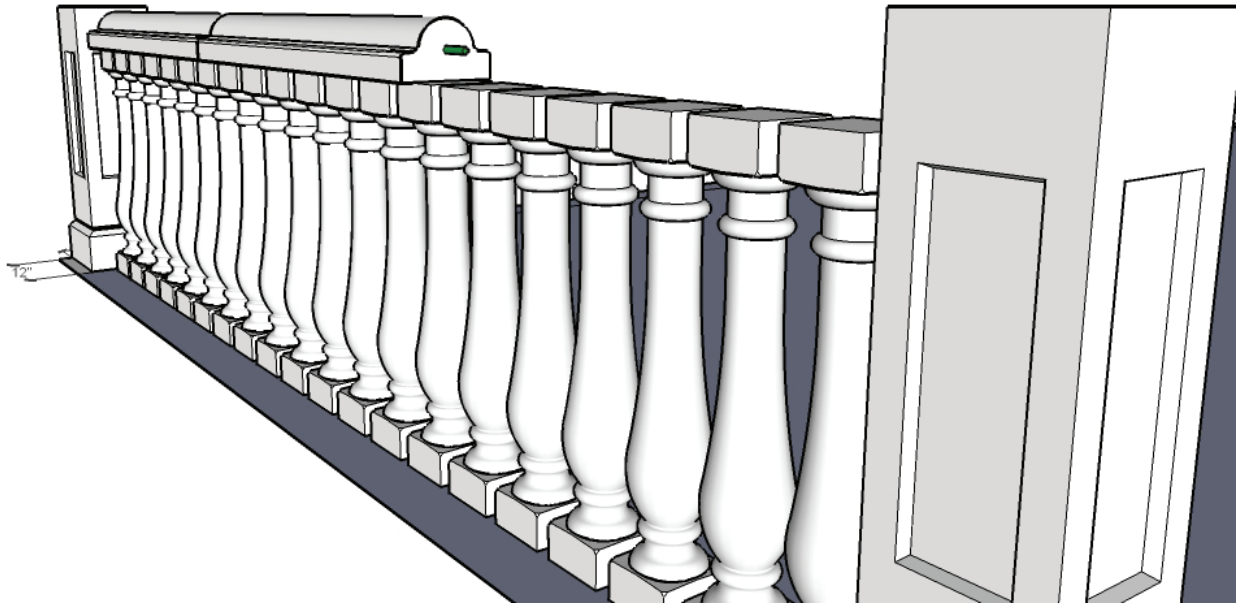
## Step #4



Install 1 baluster every 6 feet using 2 part epoxy making sure they are level and plum before continuing. Attach your straight edge to the side of each baluster. Install remaining balusters leaving no more than 4" at the widest point. See illustration "A" for reference. Check with your local building department for spacing and height requirements. Let balusters dry with spacers and straight edge in place.

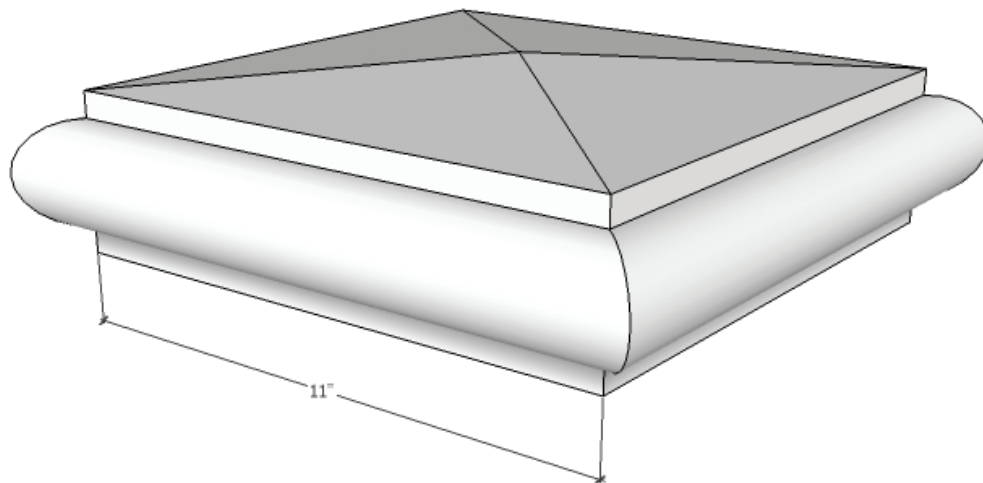


## Step #5



Install handrail using concrete adhesive on top of each baluster and doweling the handrail to one another, as well as to the posts. Use [handrail instructions](#) as a guide for proper installation.

## Step #6



Install newel post caps to complete your Build-A-Rail™ Balustrade System.